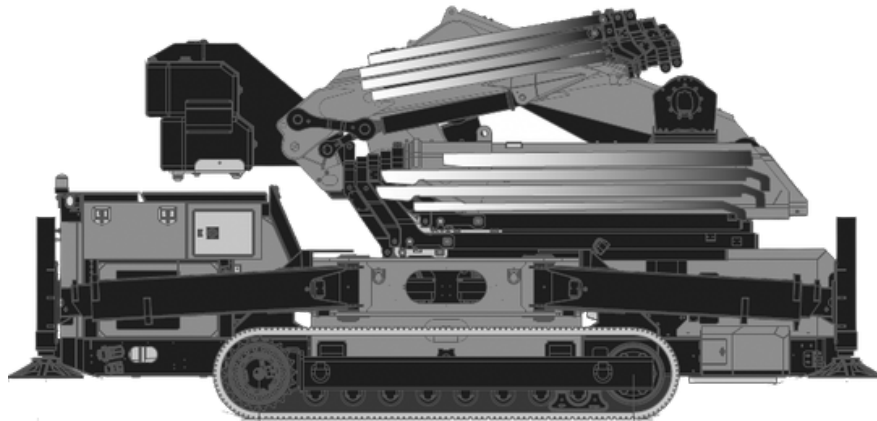


JEKKO JF545.2

MINIKRAN

32,50m
HAKENHÖHE



KURZÜBERSICHT

MAX. HAKENHÖHE 32,50m
MAX. HEBEKRAFT: 15.500 kg

TECHNISCHE DATEN

ANTRIEBSART	DIESEL + ELEKTRO / HYBRID
MAX. HEBEKRAFT	15.500 kg
TRANSPORTABMESSUNGEN (L x B x H)	5,83 m x 1,84 m x 2,83 m
EIGENGEWICHT (MIT BALLAST)	13.730 kg (17.230 kg)
BESONDERHEITEN	STUFENLOSE AUSLEGERDREHUNG 0°/45°, STUFENLOSE TELESKOP AUSLEGERVERLÄNGERUNG, HÖHENVERSTELLBARE AUSLEGER, ASYMMETRISCHE KONFIGURATION, SELBSTABNEHMBARES GEGENGEWICHT UVM.



Gräber

Arbeitsbühnen · Stapler · Krane

WWW.GRAEBER.RENTALS

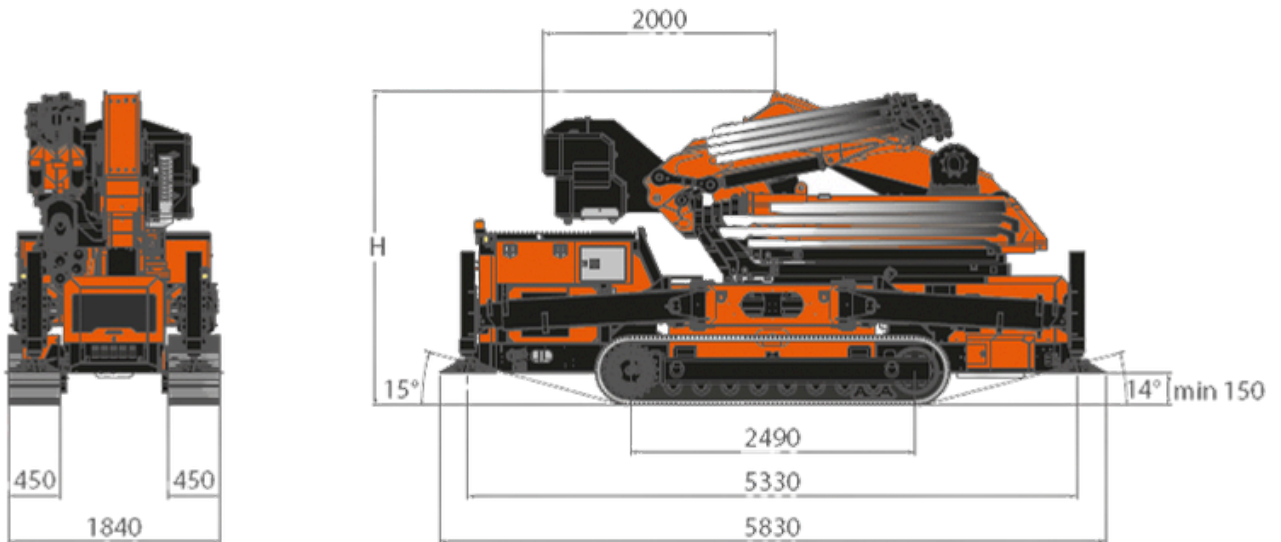
JEKKO JF545.2

MINIKRAN



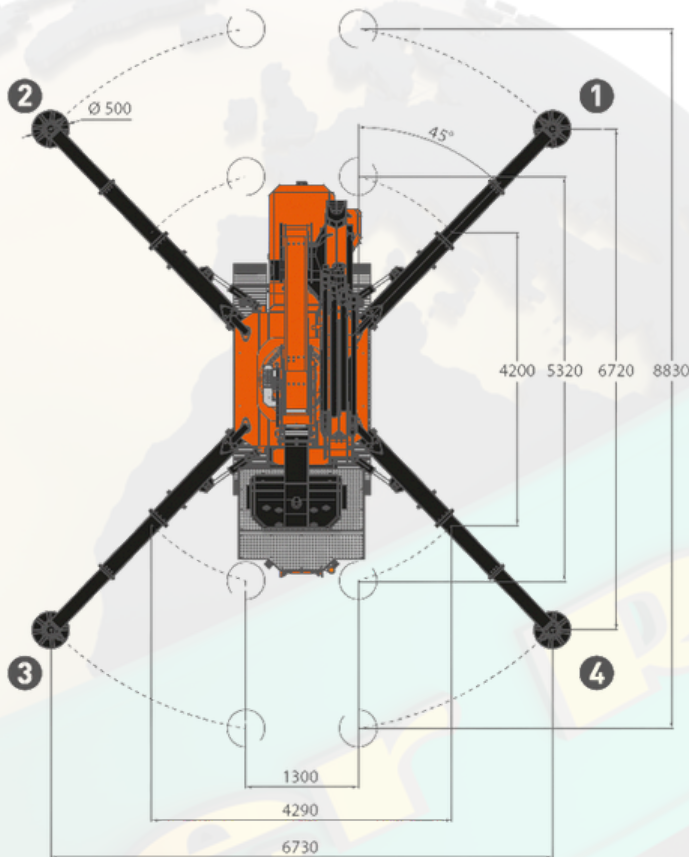
OVERALL DIMENSIONS

(with jib and low marking pads)



STABILITY AREAS

H	WITH V20 winch	2830
	WITH V30 winch	2900



Min stability angle: 0°
Max stability angle: 45°



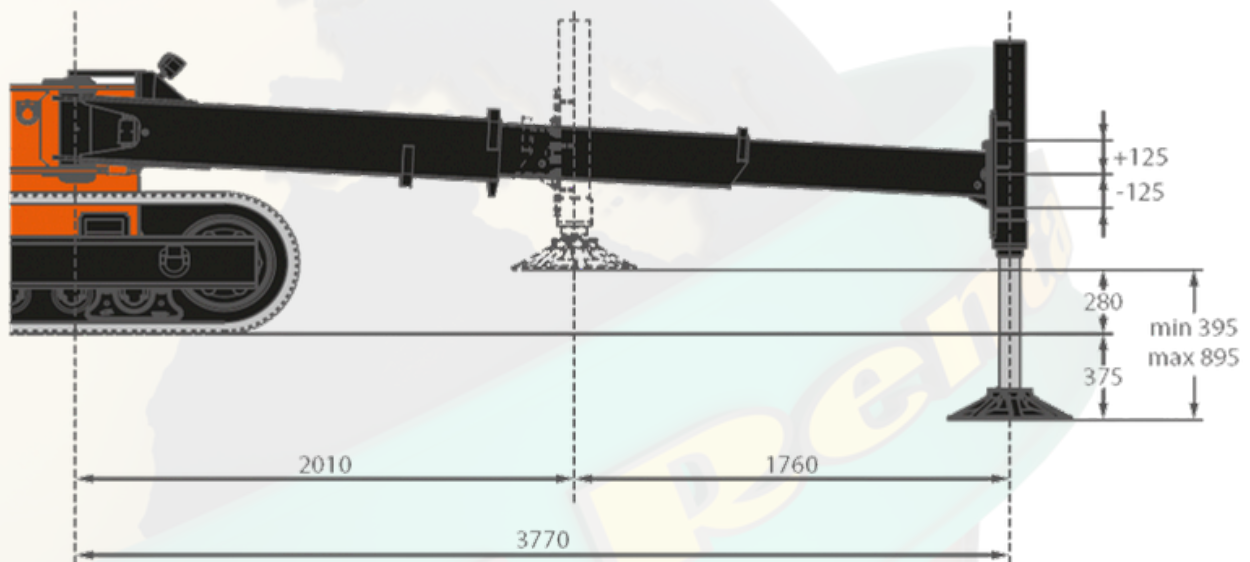
Gräber

Arbeitsbühnen · Stapler · Krane

WWW.GRAEBER.RENTALS

JEKKO JF545.2

MINIKRAN



Gräber

Arbeitsbühnen · Stapler · Krane

WWW.GRAEBER.RENTALS

JEKKO JF545.2

MINIKRAN



OVERALL INFORMATION

CRANE INFO

		DESCRIPTION	U.M	VALUE
	OVERALL DIMENSIONS	Height		2.830
		Length	mm	5.830
		Width		1.840
	BOOM	Length	m	16,3
		Speed	s	50 ^[1]
	SLEWING	Angle	°	360°
		Speed	rpm	0,67
	LIFTING	Working Angle	°	0°/80°
		Speed	s	Primary: 37 Secondary: 47
		Max Capacity	kg	15.500
		Max Outrigger Bearing Load	kg	11.250 ^[2]
		Track load	kg/cm ²	0,85
	Travel Speed	Slow	km/h	1
		Fast		2,3
		Gradeability	°	15° (27%)
		Working Temperature	°C	-10°/+40°

^[1]: Timing without load, fully stabilized and without XP
^[2]: Static lifting



Gräber

Arbeitsbühnen · Stapler · Krane


WWW.GRAEBER.RENTALS


JEKKO JF545.2







MINIKRAN



OVERALL

WEIGHT		CRANE	JF545.2 (with activation)	kg	13.730 ⁽¹⁾⁽²⁾
			Counterweight		3.500

HOOKBLOCKS		HOOK BLOCK	Single Fall	kg	47
			Double Fall		58
			Single Fall Jib		74

ACCESSORIES		JIB	JIBL426	With activation	kg	1.260
				Without activation		1.140
		MANUAL EXTENSIONS	ME1-545.6	kg	95	
			ME2-545.6		70	
			ME3-545.6		45	
			MEH-545.6		90	
			MEH-JIB3000.6HA		23	
			ME1-JIB3000.6HA		36	
		LOW MARKING PADS	WTP-JFM (x92)	kg	300	
		OUTRIGGERS MATS	OM500 (x4)	kg	92	
		POWERPACK	3-Phase Power pack	kg	80	
		PLE	MWP-1PG.JIB3000.6HA	kg	133	
			MWP-2PG.JIB3000.6HA		160	
			MWP-2PG-S.JIB3000.6HA		150	
			MWP-2PG-A.JIB3000.6HA		133	
			MWP-2PGR.JIB3000.6HA / MWP-2PGR.JF545.2		207	
			MWP-2PGR-S.JIB3000.6HA		190	
MWP-2PGR-A.JIB3000.6HA			173			

⁽¹⁾: Dry weight

⁽²⁾: Estimated fluids weight = 150 kg



Gräber

Arbeitsbühnen · Stapler · Krane



WWW.GRAEBER.RENTALS


JEKKO JF545.2

MINIKRAN



OVERALL INFORMATION

ENGINE		DIESEL ENGINE	Power	
			kW	55,4
			HP	74
	Tank capacity			L
		ELECTRIC	Voltage	
			V	400
			Power	
			kW	13

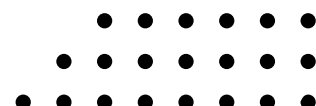
HYDRAULIC SYSTEM		Maximum Working Pressure		bar	345
		Tank Capacity		L	200
		OIL	Type	Mineral	ISO 6743-4:HV
			Viscosity Grade	VG	46
		DIESEL MAIN PUMP	Type	Variable Flow Pump LS	
			Displacement	cm ³ /rev	80
			Max Oil Flow	L/min	160
		ELECTRIC MAIN PUMP	Type	Variable Flow Pump LS	
			Displacement	cm ³ /rev	45
			Max Oil Flow	L/min	60



Gräber

Arbeitsbühnen · Stapler · Krane

WWW.GRAEBER.RENTALS



JEKKO JF545.2

MINIKRAN



WINCH PERFORMANCE

W2000-JFM

WINCH	Layer		Max pull line	Standard rope speed
			daN	m/min
	1		2.000 ⁽¹⁾	45
	4		— ⁽¹⁾	57,5
ROPE	Wire rope	Max load	Ø	Total length
		daN	mm	m
	19x7 avvolgimento destro. Anti-Rotazione	12.750	12	60

HOOK BLOCK	Block type	Load	N° of	
			Sheaves	Lines
		kg		
	Single fall block	2.000	-	1
	Double fall block	3.500	1	2
	Triple fall block	6.000	1	3

W3000-JFM

WINCH	Layer		Max pull line	Standard rope speed
			daN	m/min
	1		3.000 ⁽²⁾	28
	3		— ⁽²⁾	36
ROPE	Wire rope	Max load	Ø	Total length
		daN	mm	m
	19x7 avvolgimento destro. Anti-Rotazione	18.600	14	60

HOOK BLOCK	Block type	Load	N° of	
			Sheaves	Lines
		kg		
	Single fall block	3.000	-	1
	Double fall block	6.000	1	2

⁽¹⁾: LMI limited at 2.000 kg
⁽²⁾: LMI limited at 3.000 kg



Gräber

Arbeitsbühnen · Stapler · Krane

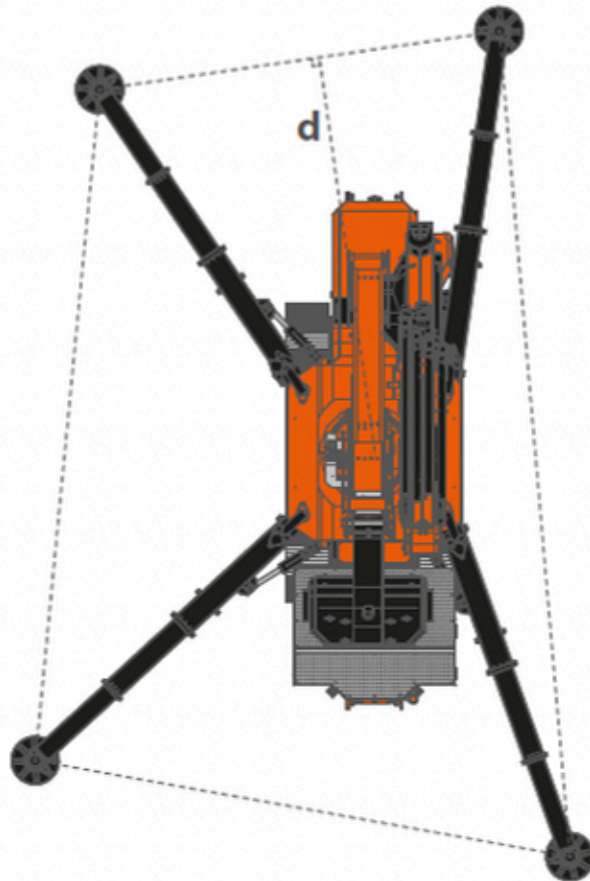
WWW.GRAEBER.RENTALS

JEKKO JF545.2

MINIKRAN



CRANE PERFORMANCE



K	d min	d max
K1	1,6 m	2,0 m
K2	2,0 m	2,6 m
K3	2,6 m	3,1 m
K4	3,1 m	3,2 m
K5	3,2 m	-



Gräber

Arbeitsbühnen · Stapler · Krane

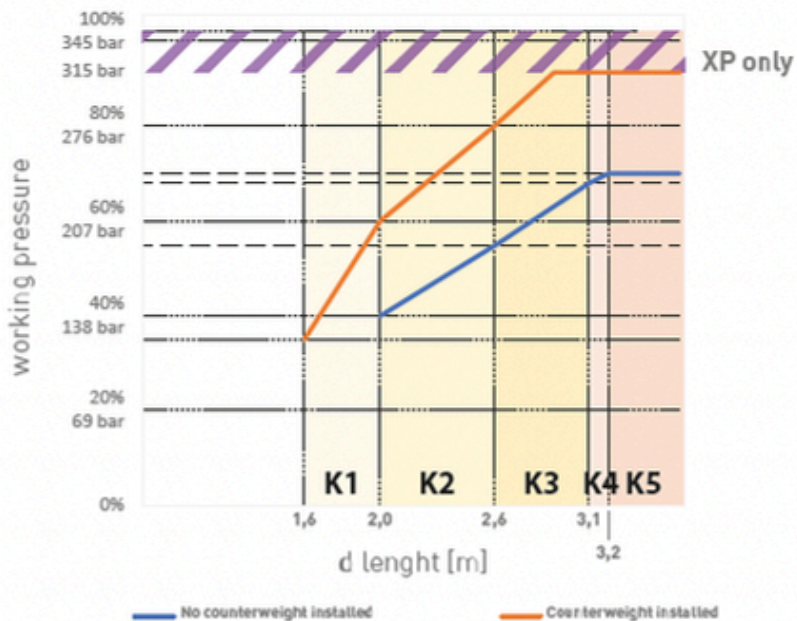
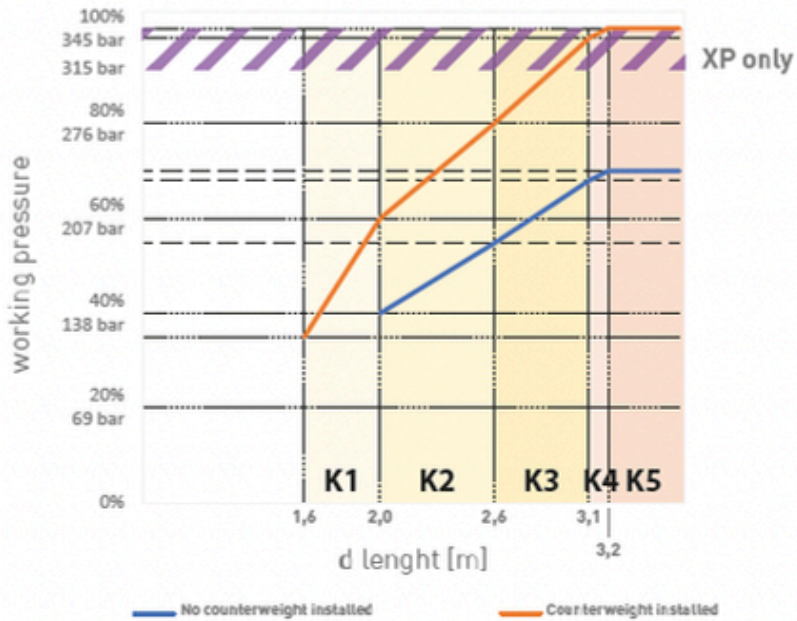
WWW.GRAEBER.RENTALS

JEKKO JF545.2

MINIKRAN



JF545.2 - MAIN BOOM



Gräber

Arbeitsbühnen · Stapler · Krane

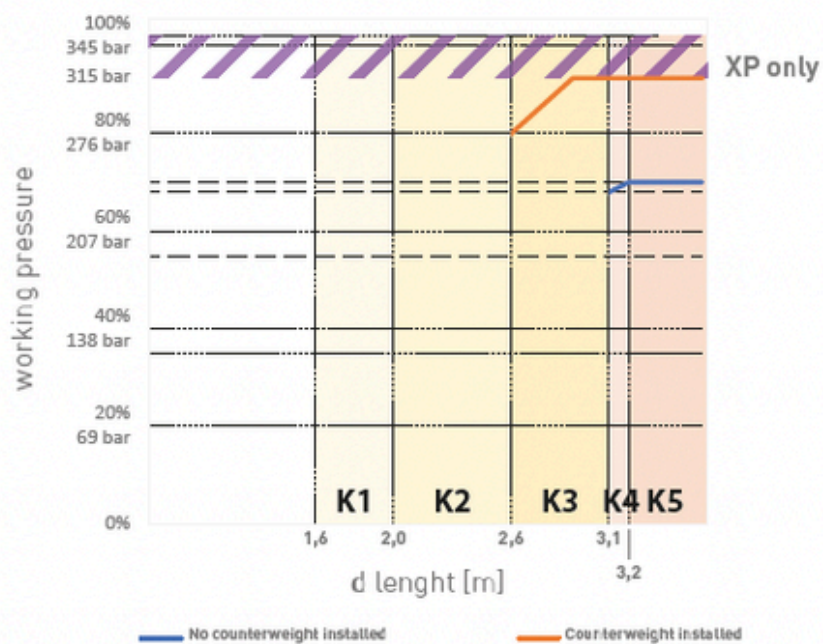
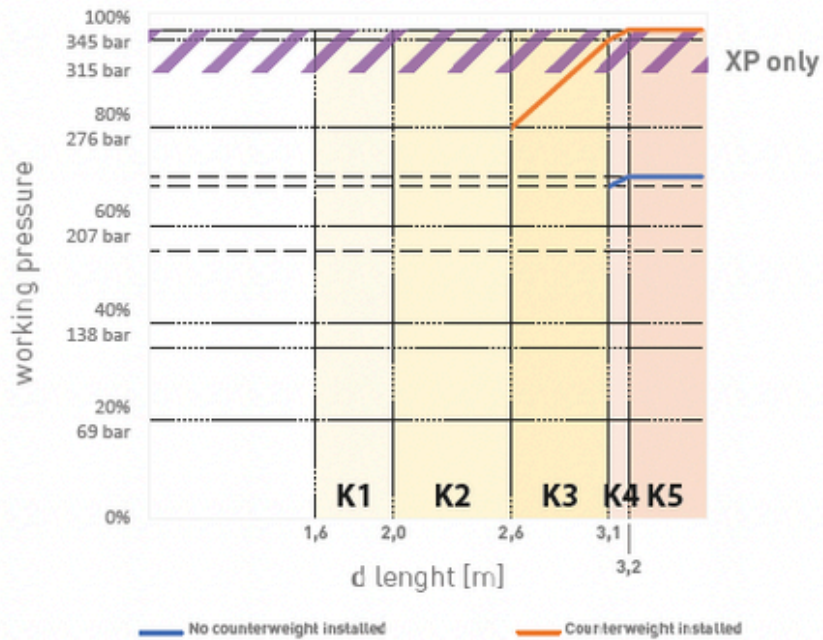
WWW.GRAEBER.RENTALS

JEKKO JF545.2

MINIKRAN



JF545.2 - JIB3000.6HA



Gräber

Arbeitsbühnen · Stapler · Krane

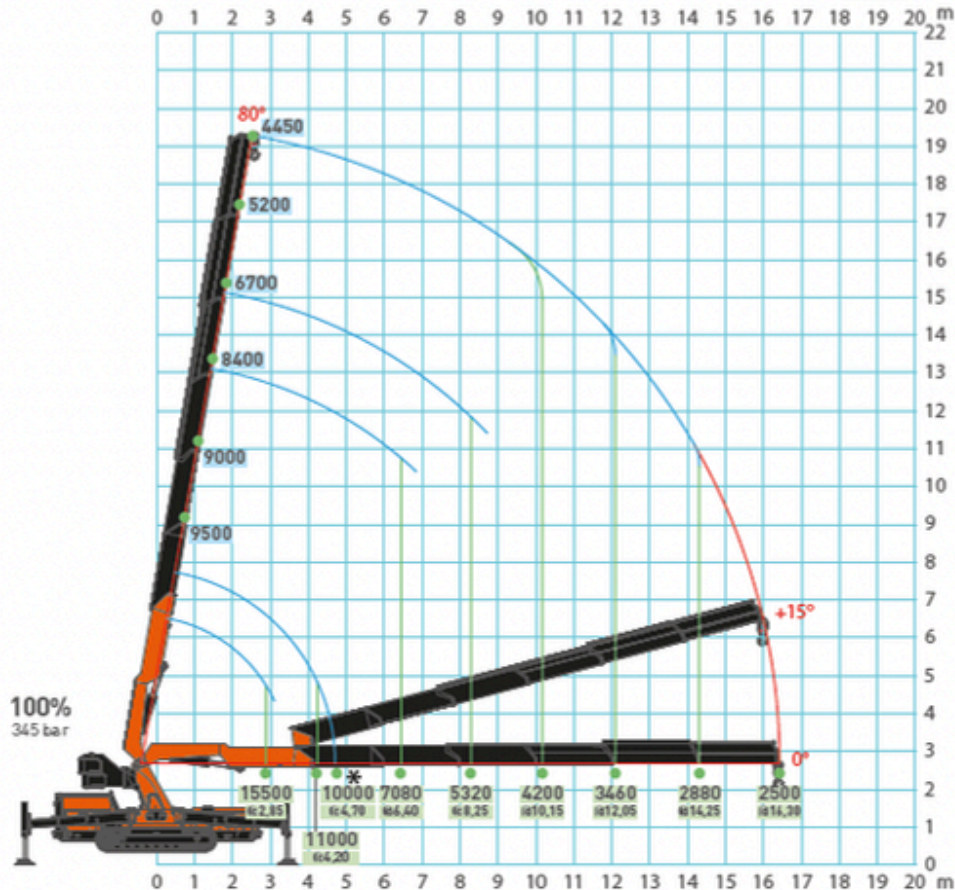
WWW.GRAEBER.RENTALS

JEKKO JF545.2

MINIKRAN



JF545.2 - MAIN BOOM



Capacity [%]	Pressure [bar]	Reach [m]	Height [m]
80%	276	7985	19.80
		5570	16.40
		4130	12.25
		3225	10.15
		2635	12.05
		2175	14.25
		1860	16.30
60%	207	5605	14.70
		3800	11.40
		2740	8.25
		2085	10.15
		1665	12.05
		1355	14.25
		1165	16.30
40%	138	3230	11.40
		2035	8.25
		1350	10.15
		945	12.05
		700	14.25
		530	16.30
		440	18.30
20%	69	850	11.40
		265	16.40

[m] [kg]



Gräber

Arbeitsbühnen · Stapler · Krane

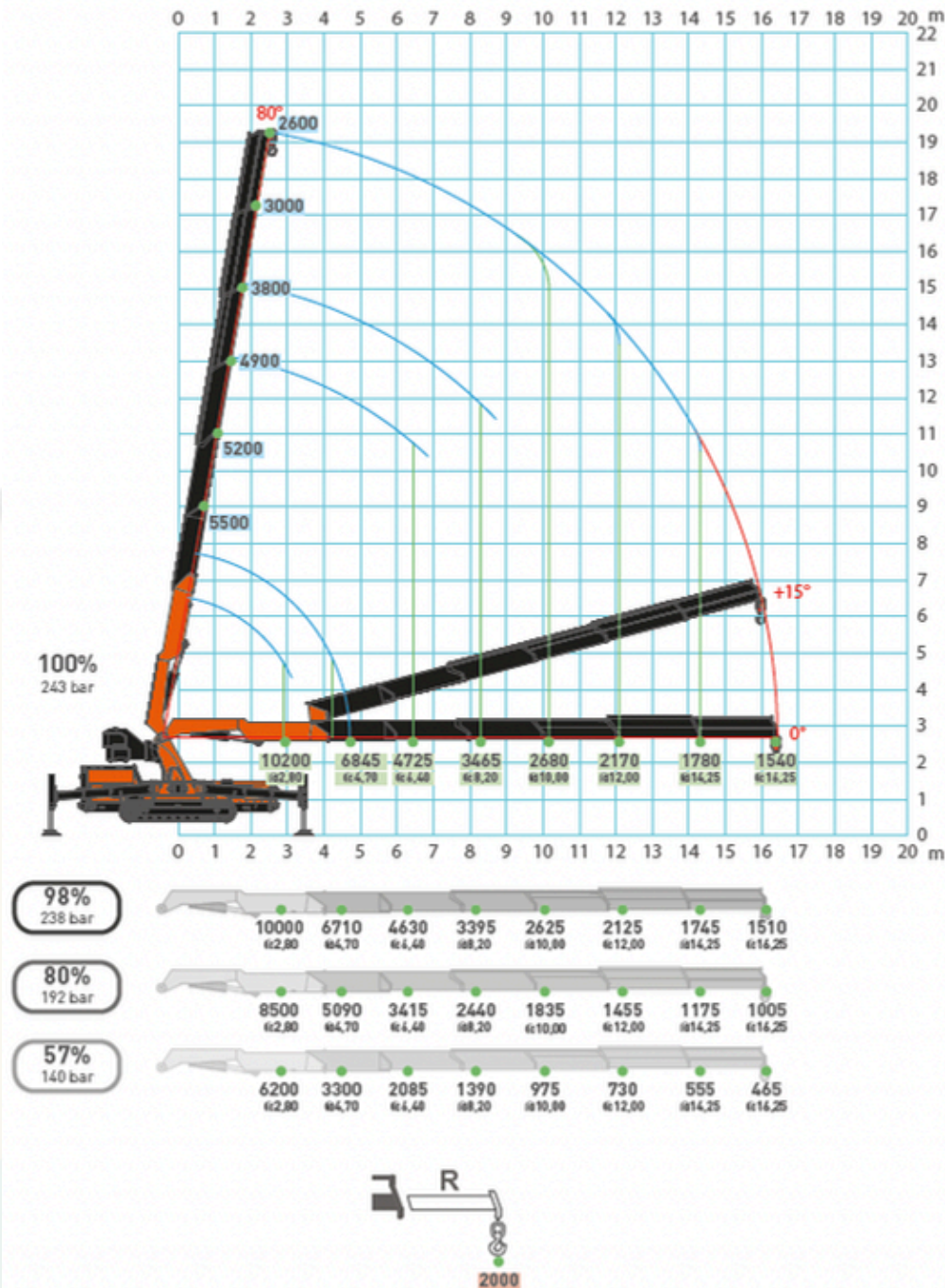
WWW.GRAEBER.RENTALS

JEKKO JF545.2

MINIKRAN



JF545.2 - MAIN BOOM



Gräber

Arbeitsbühnen · Stapler · Krane

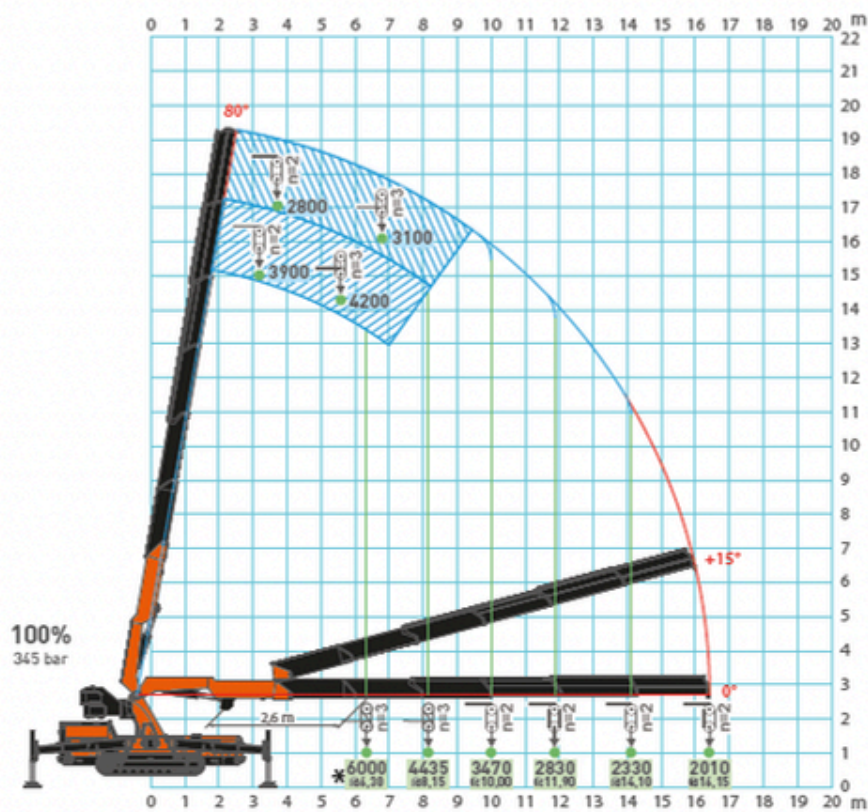
WWW.GRAEBER.RENTALS

JEKKO JF545.2

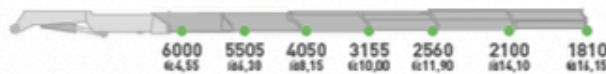
MINIKRAN



JF545.2 - MAIN BOOM



80%
276 bar



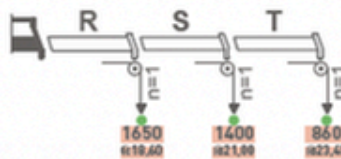
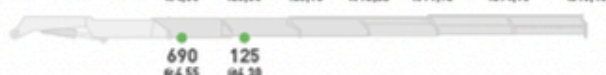
60%
207 bar



40%
138 bar



20%
69 bar



[m] [kg]



Gräber

Arbeitsbühnen · Stapler · Krane

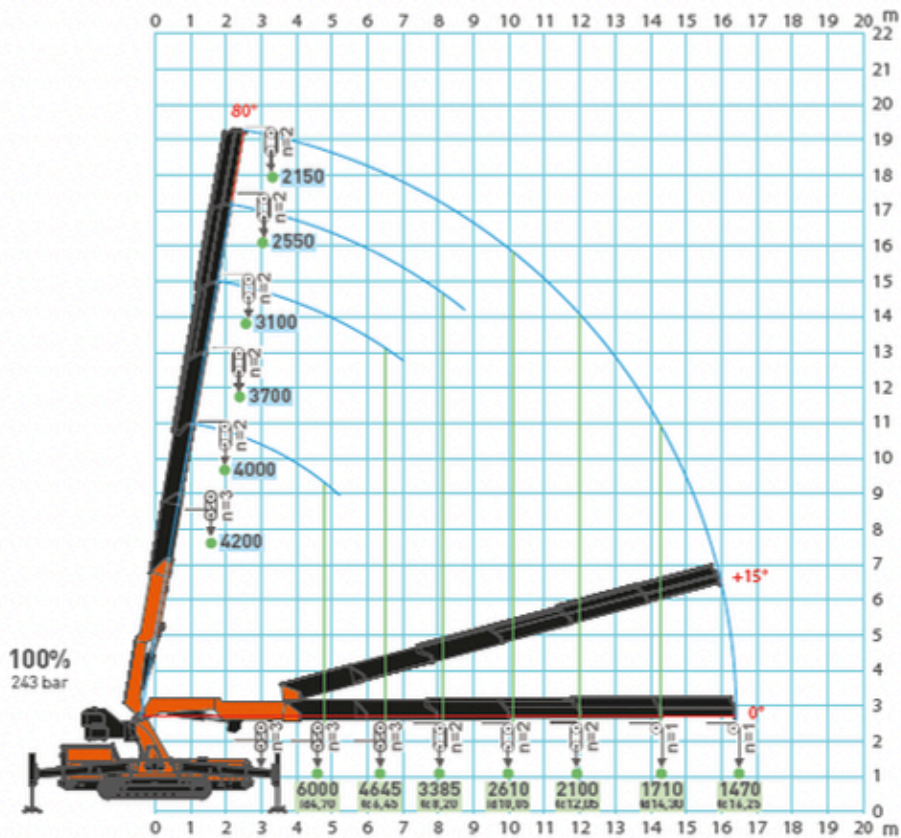
WWW.GRAEBER.RENTALS

JEKKO JF545.2

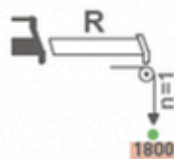
MINIKRAN



JF545.2 - MAIN BOOM



- 98%
238 bar
- 80%
192 bar
- 57%
140 bar



Graeber

Arbeitsbühnen · Stapler · Krane

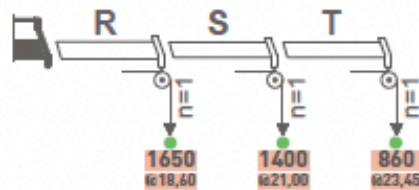
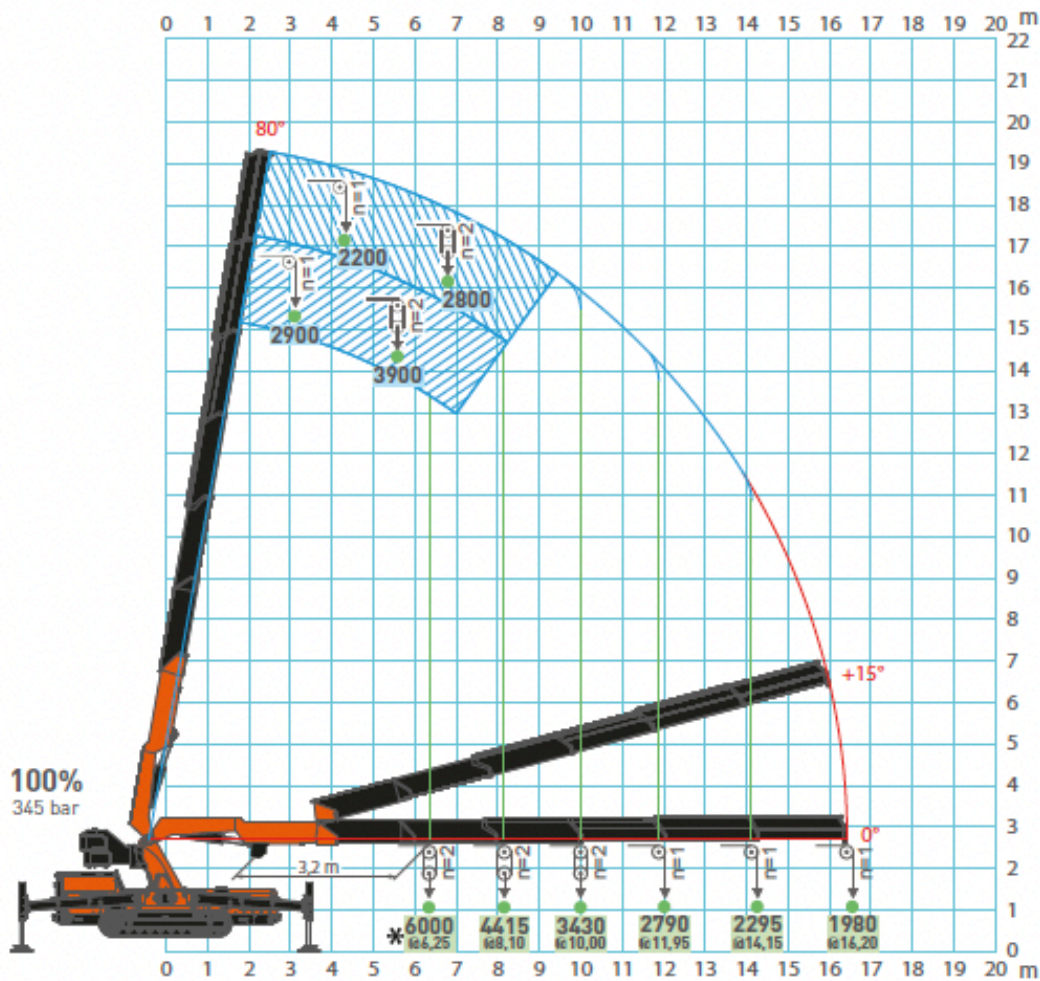
WWW.GRAEBER.RENTALS

JEKKO JF545.2

MINIKRAN



JF545.2 - MAIN BOOM



Gräber

Arbeitsbühnen · Stapler · Krane

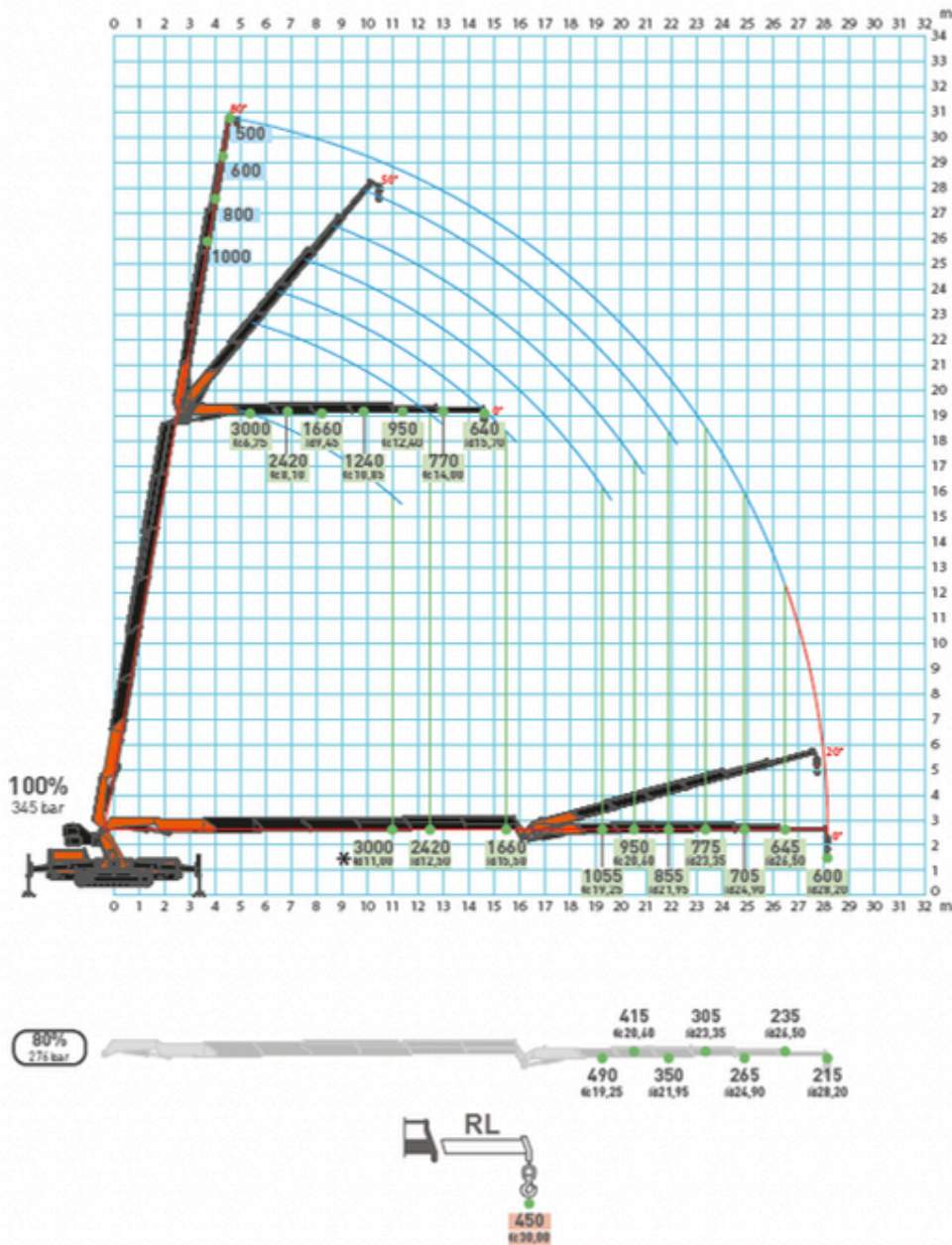
WWW.GRAEBER.RENTALS

JEKKO JF545.2

MINIKRAN



JF545.2 - JIB3000.6HA



The load chart refers to the crane in deflection condition.

[m] [kg]



Gräber

Arbeitsbühnen · Stapler · Krane

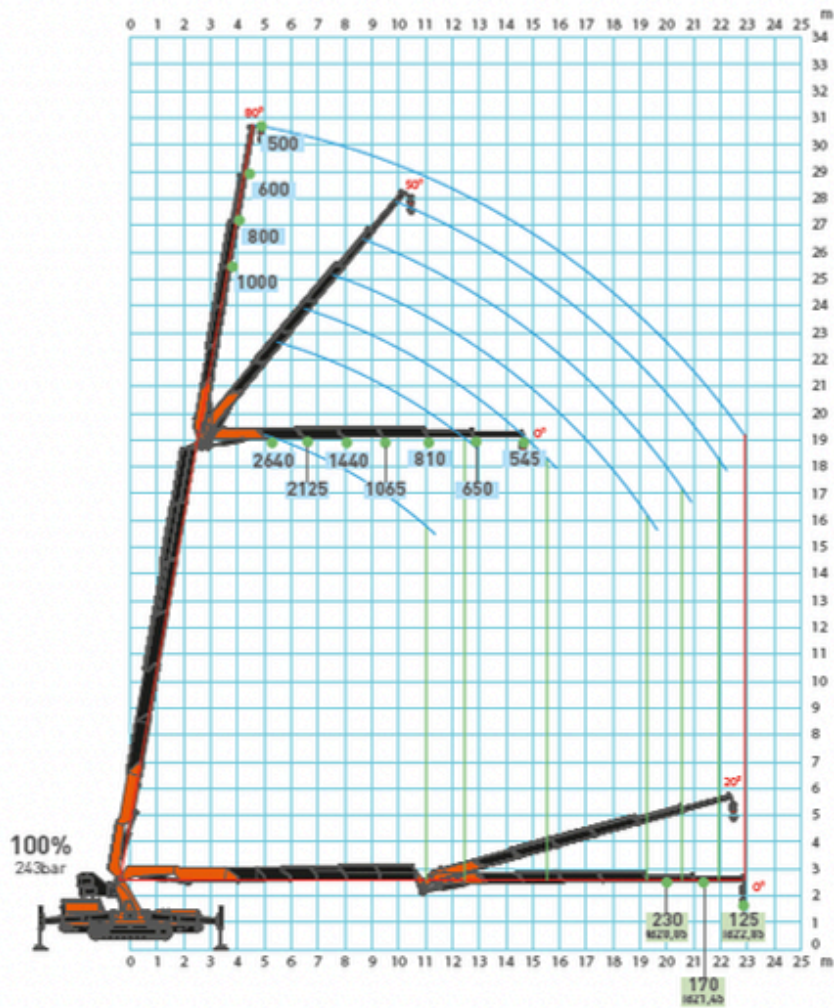
WWW.GRAEBER.RENTALS

JEKKO JF545.2

MINIKRAN



JF545.2 - JIB3000.6HA



[m] [kg] The load chart refers to the crane in deflection condition.



Gräber

Arbeitsbühnen · Stapler · Krane

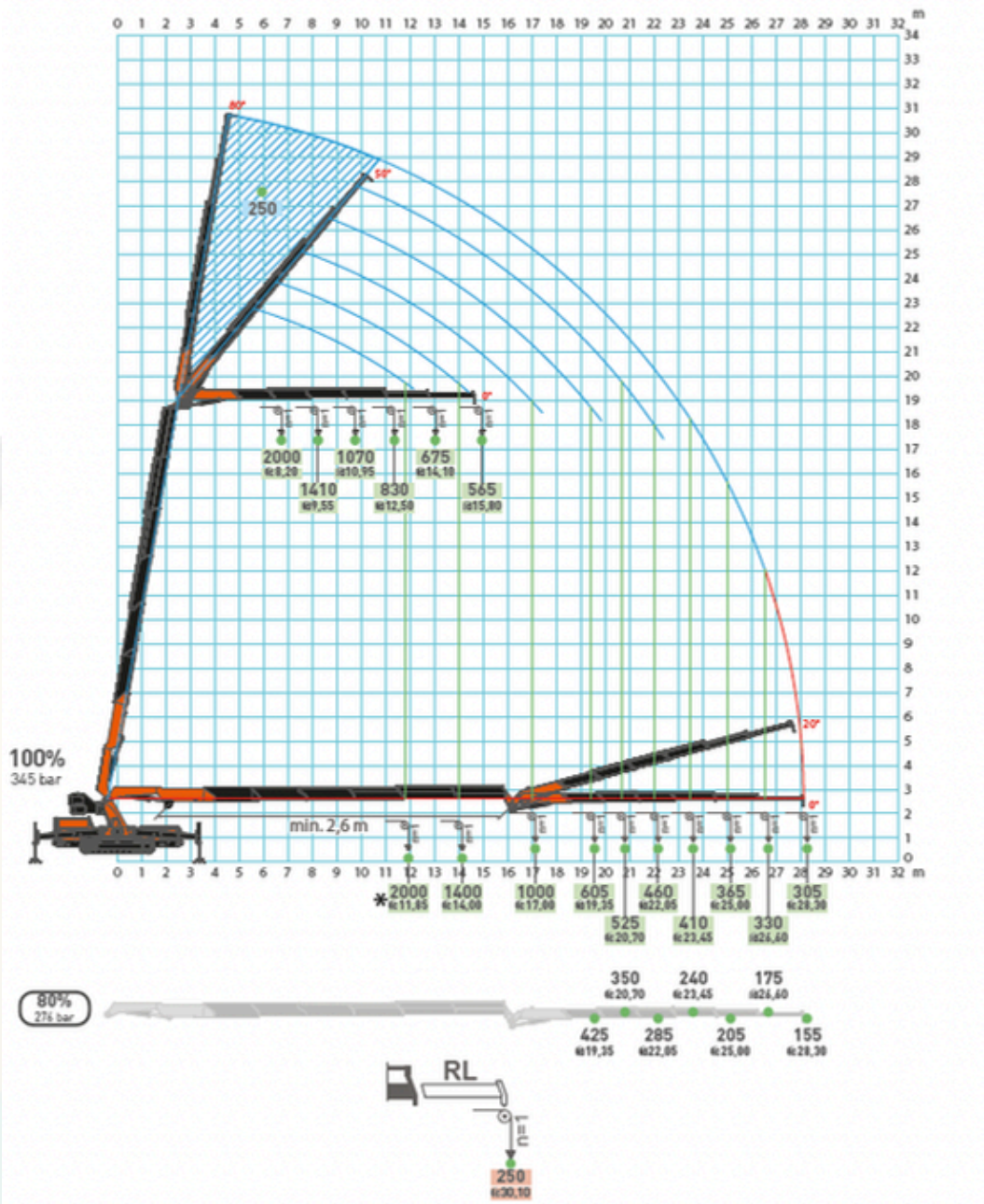
WWW.GRAEBER.RENTALS

JEKKO JF545.2

MINIKRAN



JF545.2 - JIB3000.6HA



The load chart refers to the crane in deflection condition. [m] [kg]



Gräber

Arbeitsbühnen · Stapler · Krane

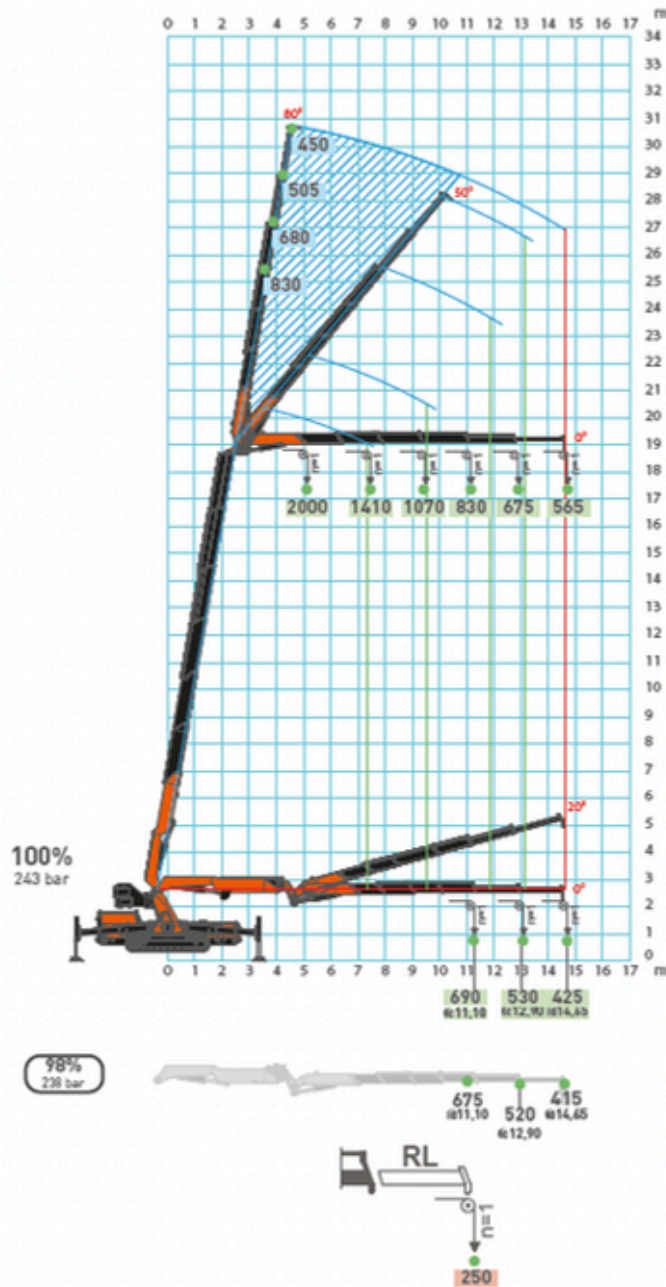
WWW.GRAEBER.RENTALS

JEKKO JF545.2

MINIKRAN



JF545.2 - JIB3000.6HA



[m] [kg] The load chart refers to the crane in deflection condition.



Gräber

Arbeitsbühnen · Stapler · Krane

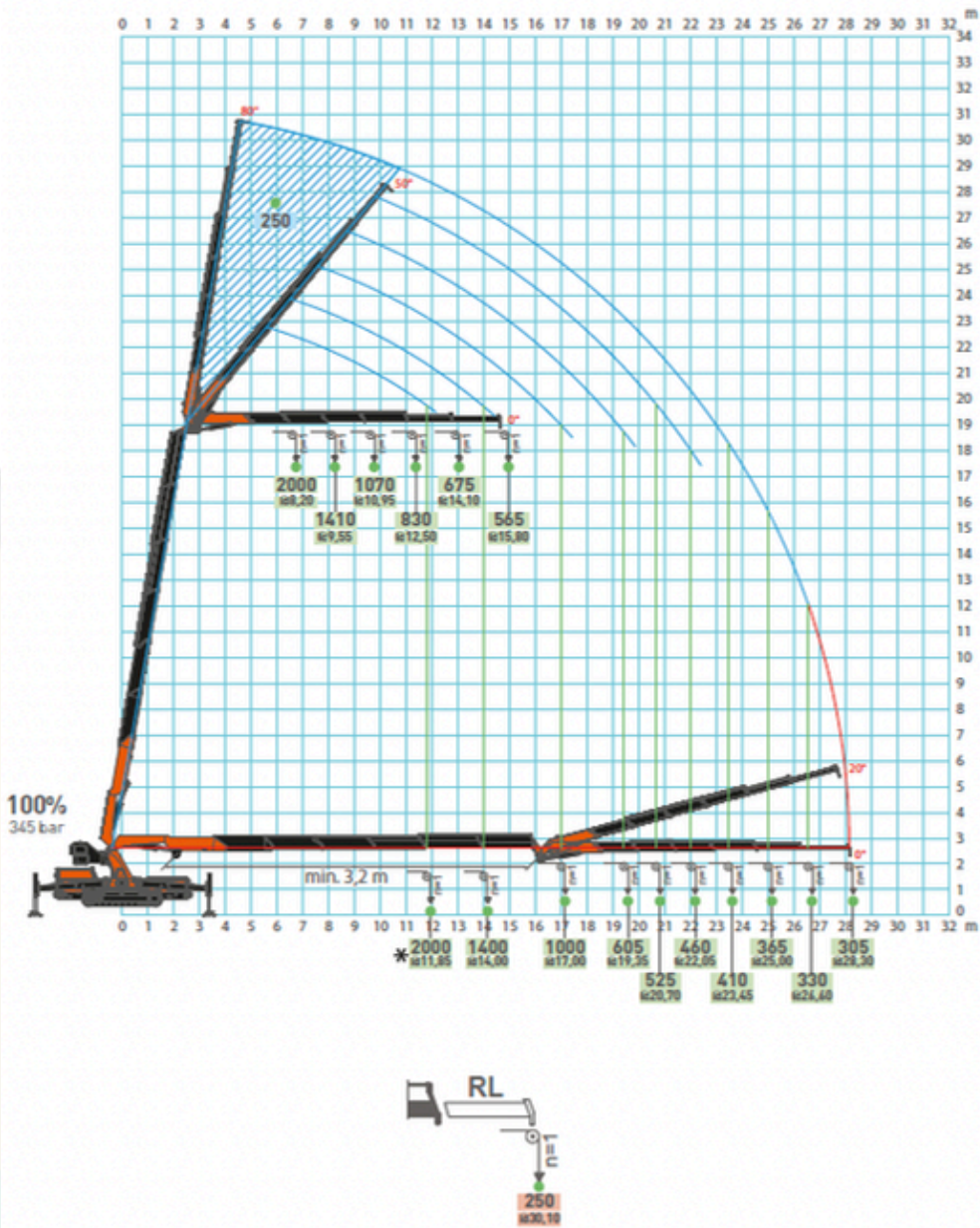
WWW.GRAEBER.RENTALS

JEKKO JF545.2

MINIKRAN



JF545.2 - JIB3000.6HA



The load chart refers to the crane in deflection condition.

[m] [kg]



Gräber

Arbeitsbühnen · Stapler · Krane

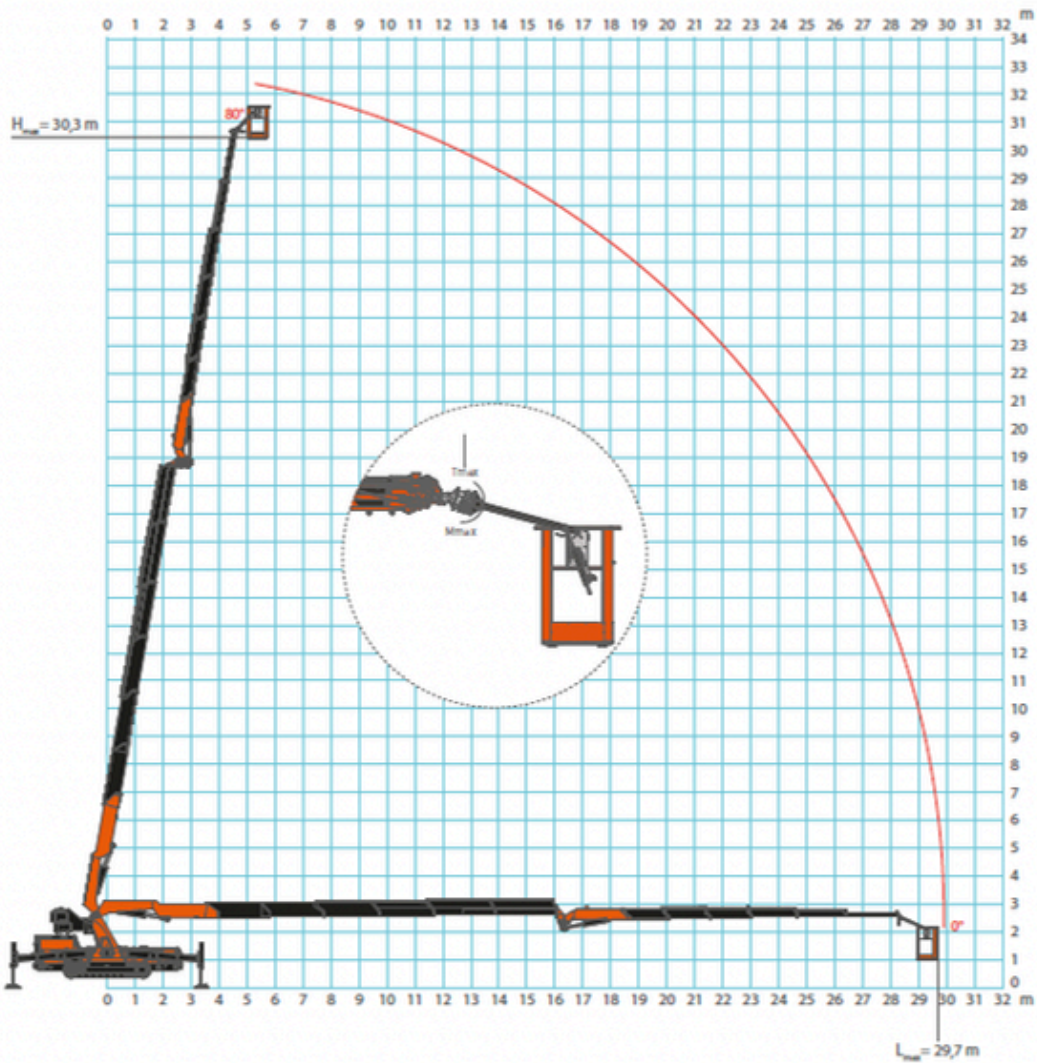
WWW.GRAEBER.RENTALS

JEKKO JF545.2

MINIKRAN



ONE-MAN BASKET



PLE	MWP-1PG_JIB3000.6HA	P_{max}	120 kg
-----	---------------------	-----------	--------

*: The load chart refers to the crane in deflection condition.
 **: The crane is equipped with LMI. The maximum reachable distance may vary by about 1m.
 ***: The maximum reachable distance can be reached by extending the JIB first and then extending the boom.



Gräber

Arbeitsbühnen · Stapler · Krane

WWW.GRAEBER.RENTALS

JEKKO JF545.2

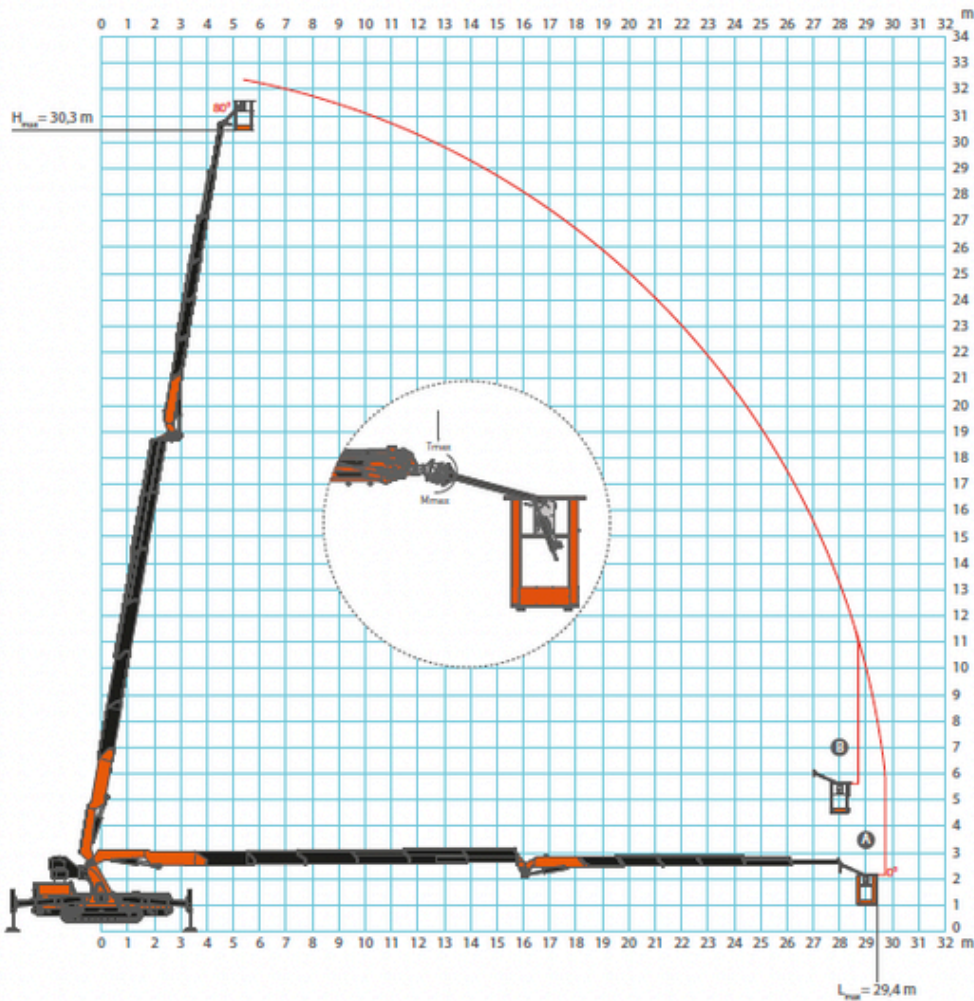
MINIKRAN



TWO-MEN BASKET



V20



A	PLE	MWP-2PG..JIB3000.6HA	without activation	P_{max}	200 kg
		MWP-2PG-S..JIB3000.6HA			
		MWP-2PG-A..JIB3000.6HA			
B	PLE	MWP-2PG..JIB3000.6HA	with activation	P_{max}	200 kg
		MWP-2PG-S..JIB3000.6HA			
		MWP-2PG-A..JIB3000.6HA			

*: The load chart refers to the crane in deflection condition.

** : The crane is equipped with LMI. The maximum reachable distance may vary by about 1m.

***: The maximum reachable distance can be reached by extending the JIB first and then extending the boom.



Gräber

Arbeitsbühnen · Stapler · Krane

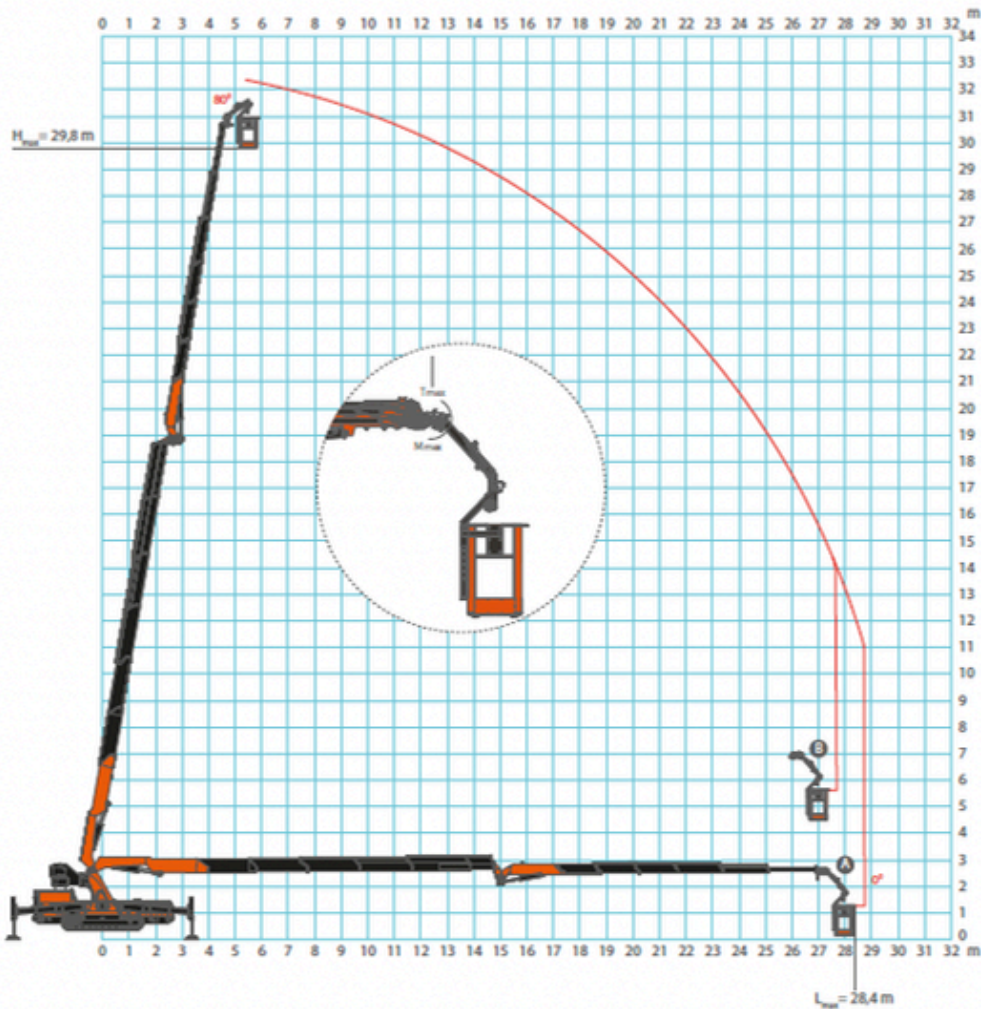
WWW.GRAEBER.RENTALS

JEKKO JF545.2

MINIKRAN



TWO-MEN BASKET WITH ROTATION



A	PLE	MWP-2PGR_JIB3000.6HA	without activation	P_{max}	200 kg
		MWP-2PGR-S_JIB3000.6HA			
MWP-2PGR-A_JIB3000.6HA		with activation	P_{max}	200 kg	
MWP-2PGR_JIB3000.6HA					
B	MWP-2PGR-S_JIB3000.6HA	with activation	P_{max}	200 kg	
	MWP-2PGR-A_JIB3000.6HA				

*: The load chart refers to the crane in deflection condition.

** : The crane is equipped with LMI. The maximum reachable distance may vary by about 1m.

***: The maximum reachable distance can be reached by extending the JIB first and then extending the boom.



Gräber

Arbeitsbühnen · Stapler · Krane

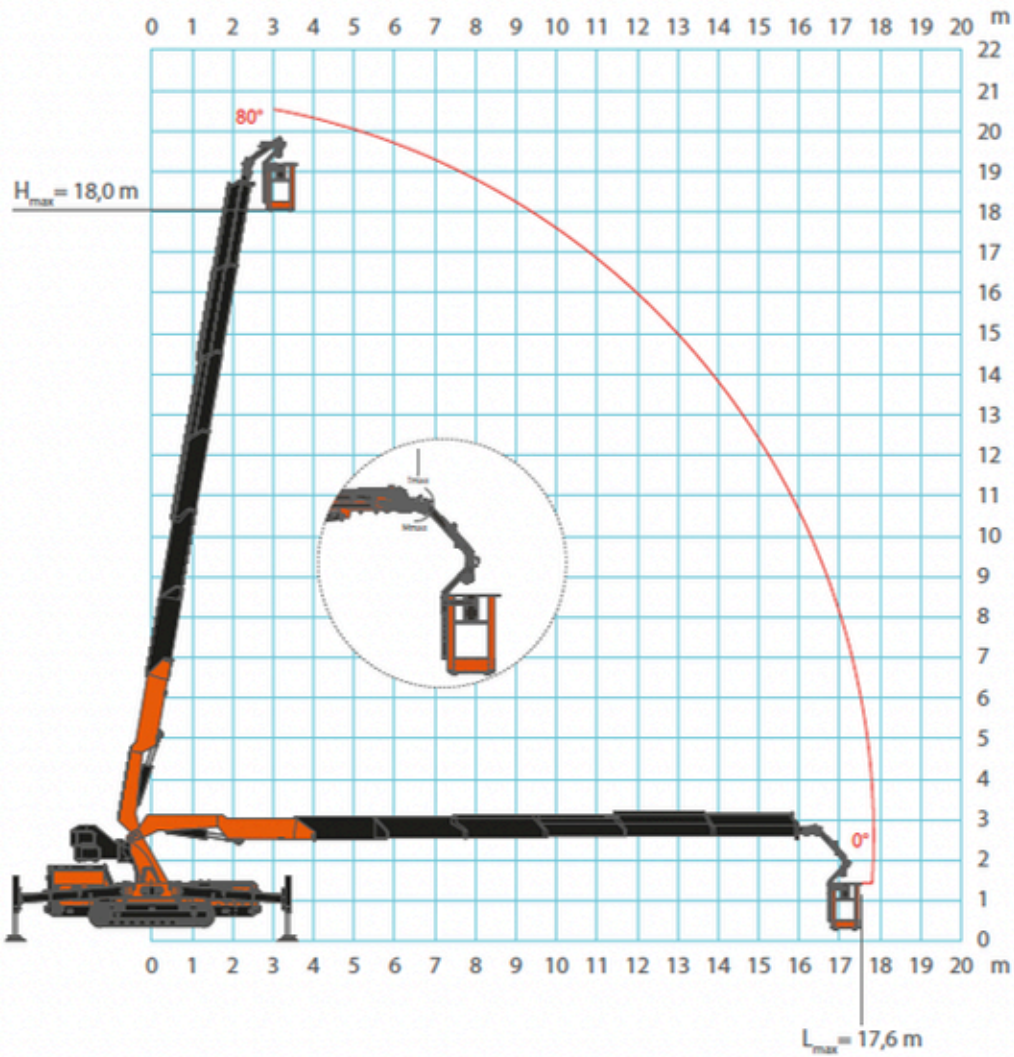
WWW.GRAEBER.RENTALS

JEKKO JF545.2

MINIKRAN



MWP-2PGR.JF545.2



PLE	MWP-2PGR.JF545.2	P _{max}	200 kg
-----	------------------	------------------	--------

*: The load chart refers to the crane in deflection condition.
 **: The crane is equipped with LMI. The maximum reachable distance may vary by about 1m.



Gräber

Arbeitsbühnen · Stapler · Krane

WWW.GRAEBER.RENTALS

JEKKO JF545.2

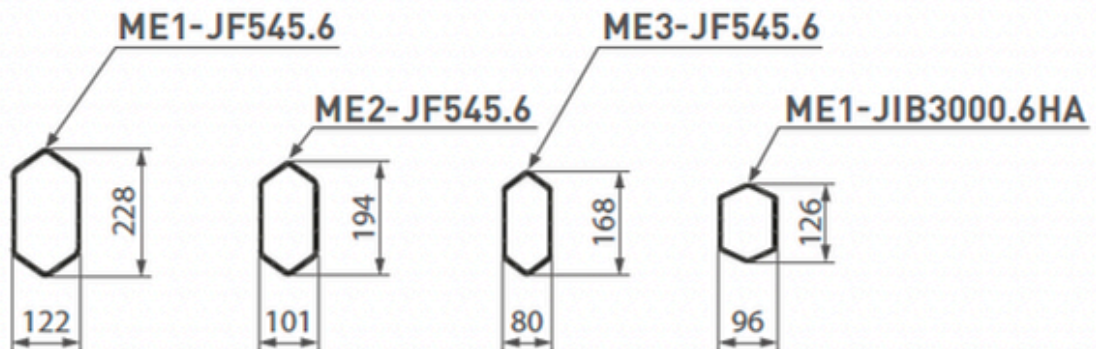
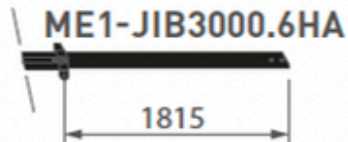
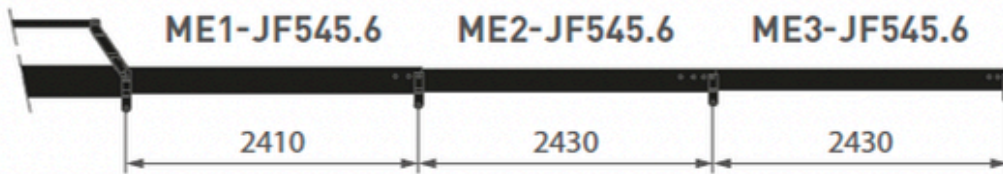
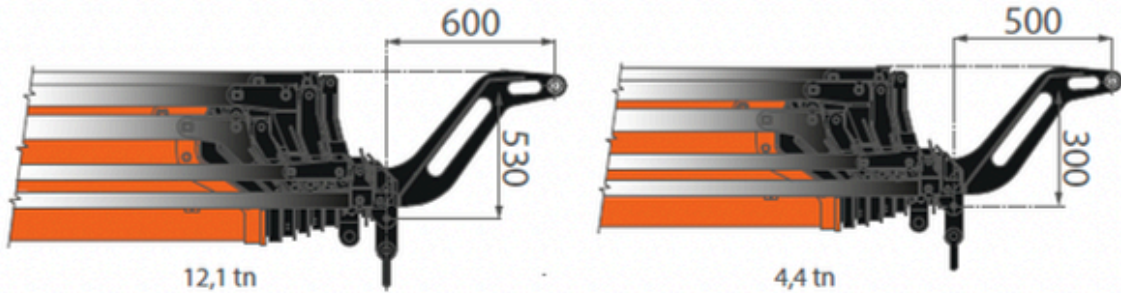
MINIKRAN



ACCESSORIES FEATURES

MEH-JF545.6

MEH-JIB3000.6HA



[mm]

25



Gräber

Arbeitsbühnen · Stapler · Krane

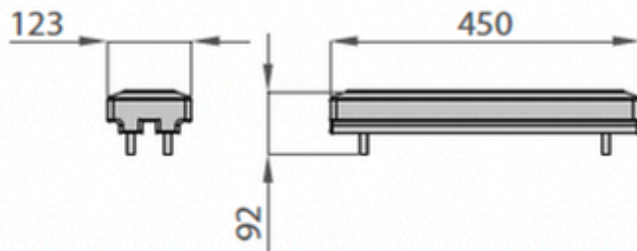
WWW.GRAEBER.RENTALS

JEKKO JF545.2

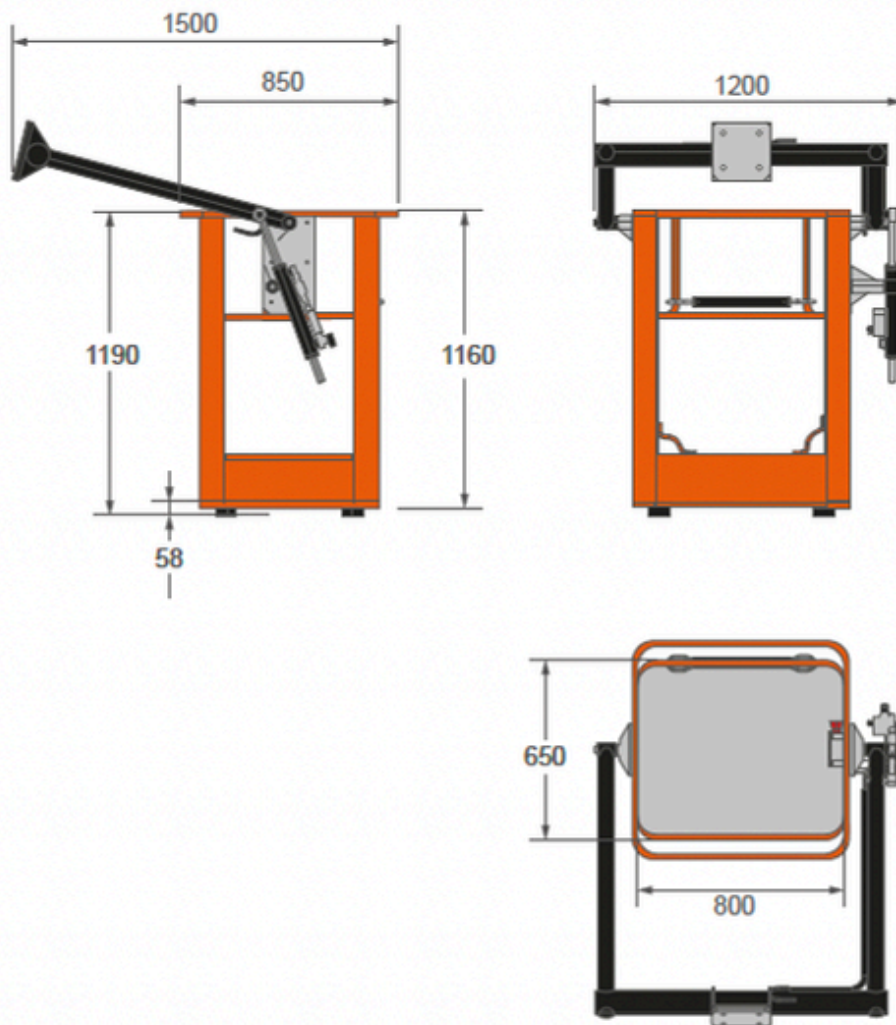
MINIKRAN



ACCESSORIES FEATURES WTP-JFM



MWP-1PG.JIB3000.6HA



Gräber

Arbeitsbühnen · Stapler · Krane

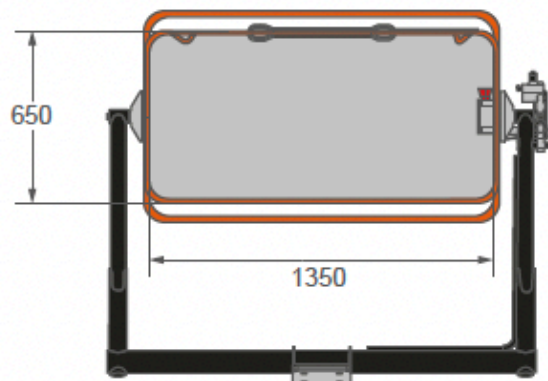
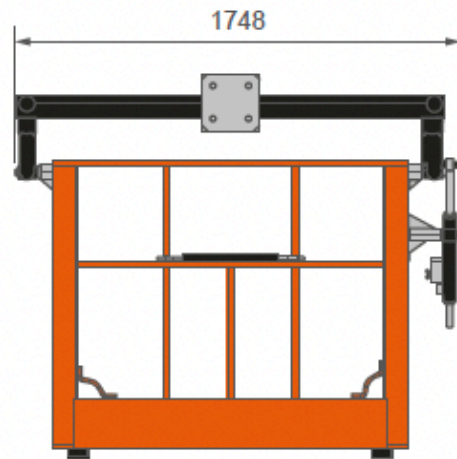
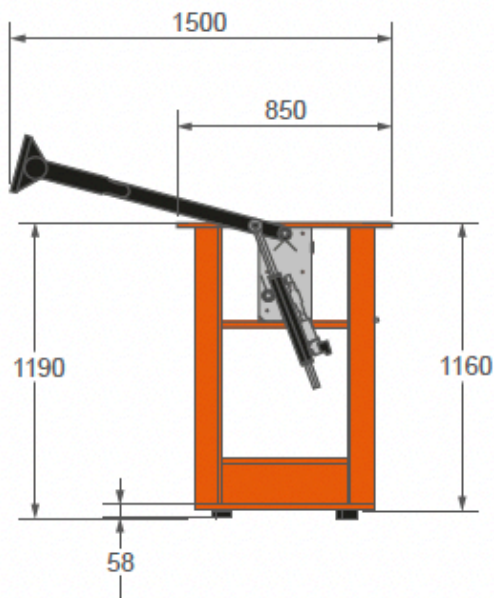
WWW.GRAEBER.RENTALS

JEKKO JF545.2

MINIKRAN



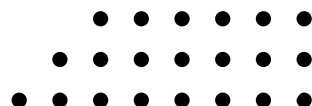
MWP-2PG.JIB3000.6HA
MWP-2PG-S.JIB3000.6HA
MWP-2PG-A.JIB3000.6HA



Gräber

Arbeitsbühnen · Stapler · Krane

WWW.GRAEBER.RENTALS



JEKKO JF545.2

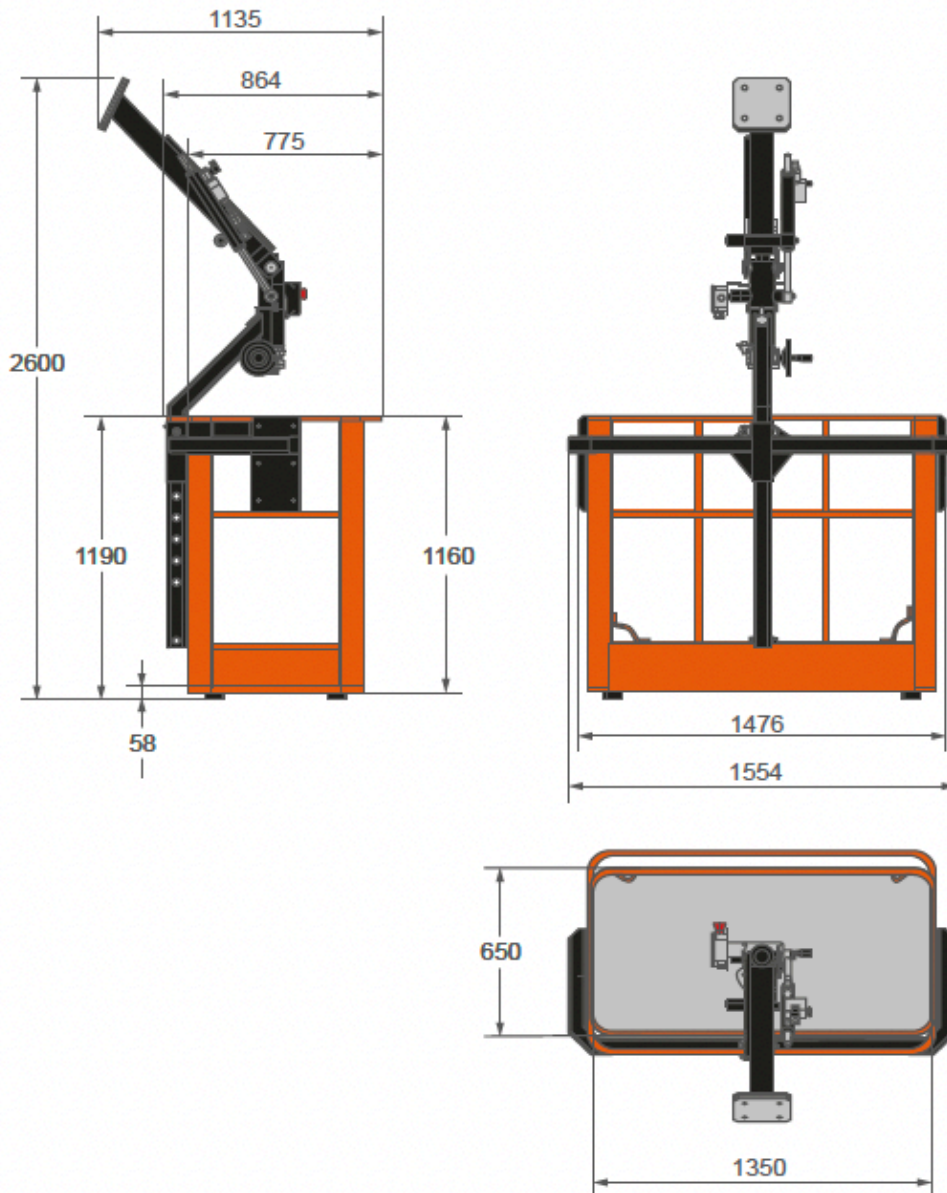
MINIKRAN



MWP-2PGR.JIB3000.6HA / MWP-2PGR.JF545.2

MWP-2PGR-S.JIB3000.6HA

MWP-2PGR-A.JIB3000.6HA



Gräber

Arbeitsbühnen · Stapler · Krane

WWW.GRAEBER.RENTALS

JEKKO JF545.2

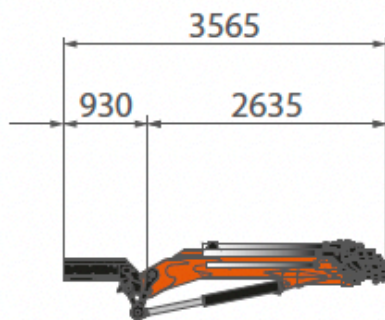
MINIKRAN



ACCESSORIES FEATURES
JIB3000.6HA



SYMBOLS



	Weight		Diesel Engine		Boom Angle		Outriggers mats
	Crane		Power Pack		Boom Length		Hydraulic oil
	Gradeability		Slewing		Jib		Outrigger Load
	Travel Speed		Electric Engine		Hookblock		Working Temperature
	Track Load		Maximum Capacity		Low marking pads		Main Winch
	Person Lifting Equipment		Hook		Counterweight		

- Load limited by LMI
- Load to be limited by the operator
- Load to be verified and limited by the operator
- * Max. moment

REMARKS REFERRING TO LOAD CHART

- HC1 HD5 S2 lifting class in hook configuration, whereas HC1 HD4 S2 lifting class in winch configuration, according to EN12999:2020 standards.
- Lifting capacities are given in kg.
- Hookblocks, hooks and eventual manual extensions weight is part of the load and therefore must be deducted from lifting capacities.
- Working radius is measured from the column slewing axis.
- Subject to modification of lifting capacities.



Gräber

Arbeitsbühnen · Stapler · Krane

WWW.GRAEBER.RENTALS